

Technical Specification

PK 18500M

(CP080)

Edition 02/2015

Palfinger Marine- und Beteiligungs GmbH
A-5020 Salzburg/Austria
F.-W.-Scherer-Straße 24
www.palfingermarine.com

Subject to change, production tolerances have to be taken into account.

Max. lifting moment:	180,0 kNm (18,3 mt) (132,750 ft.lb)		
Classification:	HC2/HD4 S2 EN13001		
Max. hydraulic outreach:	14,3 m (46' 9")		
Slewing area:	400°		
Slewing torque:	23,0 kNm (2,3 mt) (16,960 ft.lb)		
Operating pressure:	30,0 MPa (300 bar) (4,350 psi)		
Pump capacity:	45 - 65 l/min (11.9 - 17.2 US gpm)		
Fv max. (dynamic):	(Crane weight + Max. load capacity) x 1,2		
Crane moment (dynamic): Mb	245,3 kNm (25,0 mt) (180,910 ft.lb)	Torsional moment (dynamic): Mt	32,1 kNm (3,3 mt) (23,670 ft.lb)

All weights are without accessories, auxiliary equipment and oil.

Depicted optional equipment not in all countries available.

Hydraulic extensions HYA	2(A)	3(B)	4(C)	5(D)
Max. outreach Hook	7,9 m (25' 9")	10,0 m (32' 9")	12,1 m (39' 9")	14,3 m (46' 9")

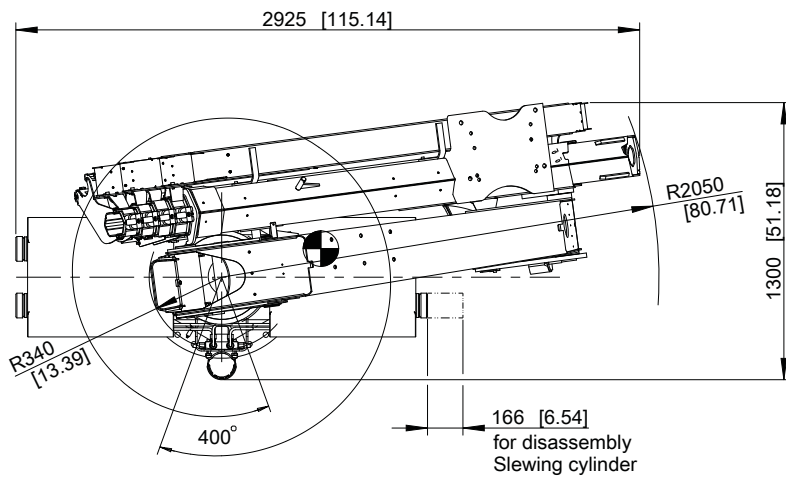
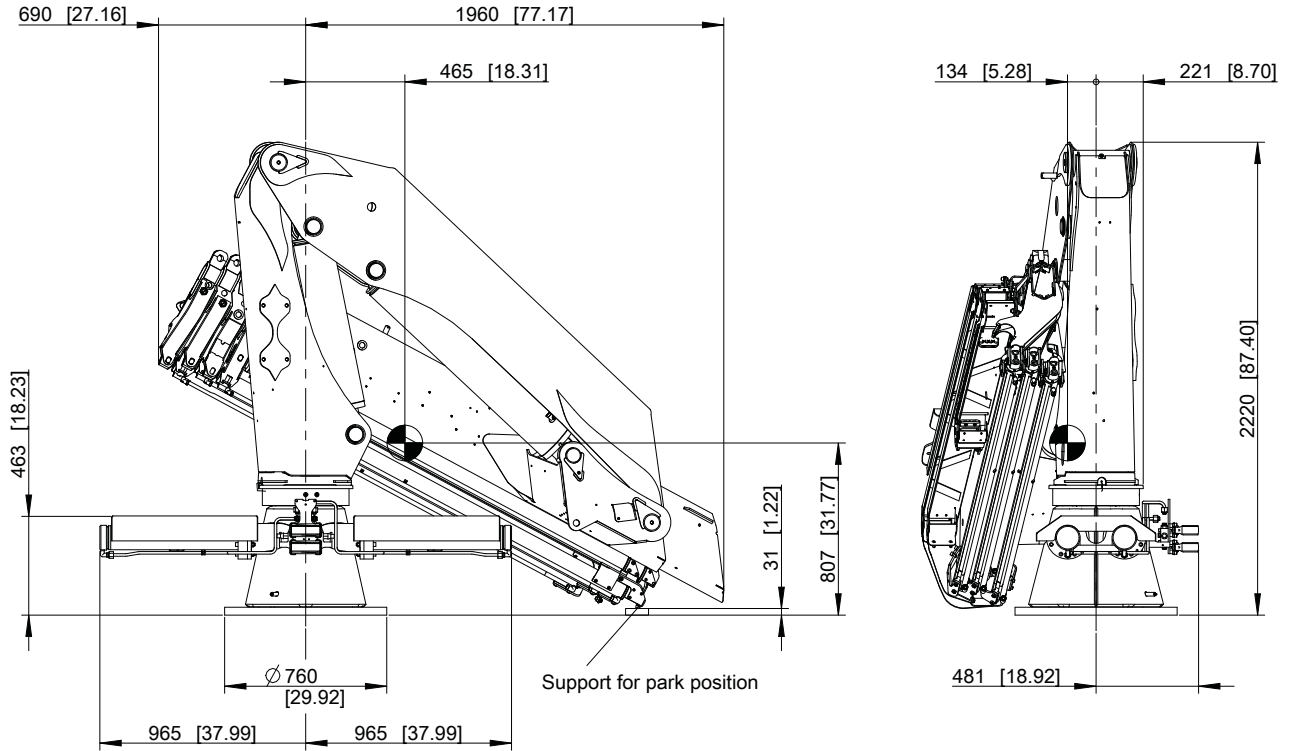
Crane weight Hook	1700 kg (3,748 lb)	1830 kg (4,034 lb)	1960 kg (4,321 lb)	2070 kg (4,564 lb)
SL	4	1740 kg (3,836 lb)	1900 kg (4,189 lb)	2030 kg (4,475 lb)
			2160 kg (4,762 lb)	

	Standing platform (I)	Mounting base (M500)
Excess weight	260 kg (573 lb)	211 kg (465 lb)

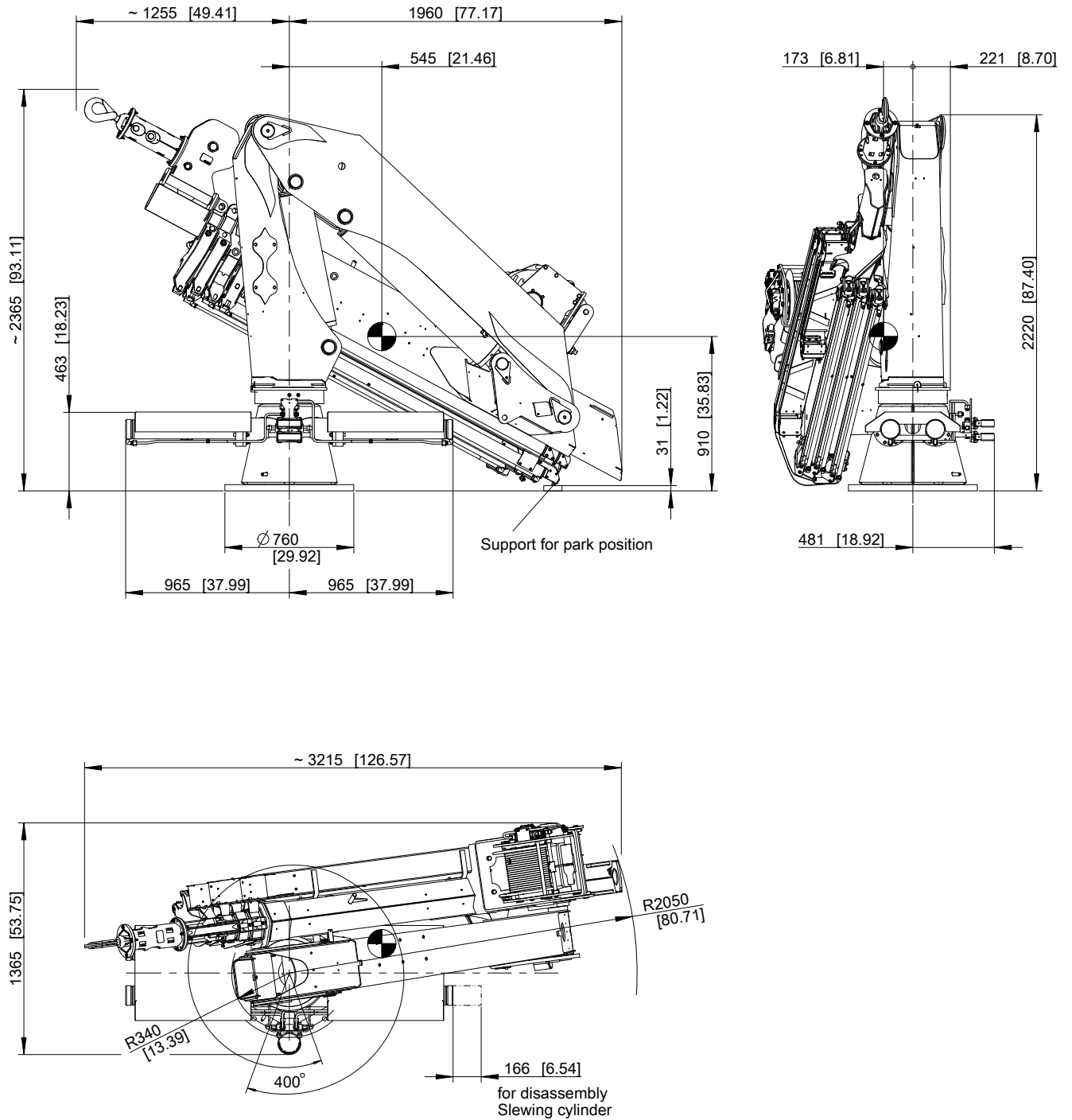
	Rope winch + Rope winch assembly			
	SKESM			
Excess weight	S1,3 / S1,6		S2,0 / S2,5	
Rope winch Rope Pull-in part Trolley head	245 kg (540 lb)		325 kg (716 lb)	
	1STRAN	2STRAN	1STRAN	2STRAN
Bottom sheaver/ Load attachment Hook	22 kg (49 lb)	30 kg (66 lb)	22 kg (49 lb)	84 kg (185 lb)

Park position FL

Subject to change, production tolerances have to be taken into account.

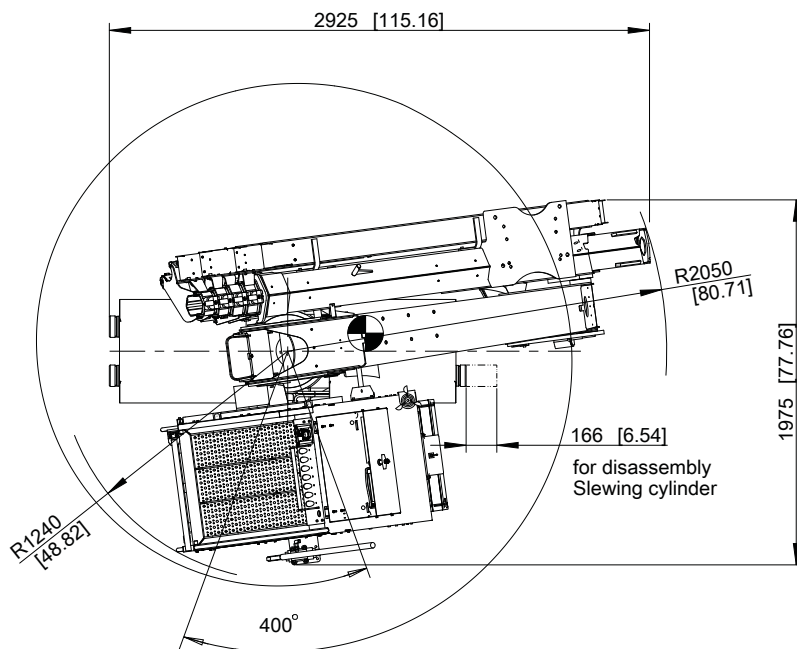
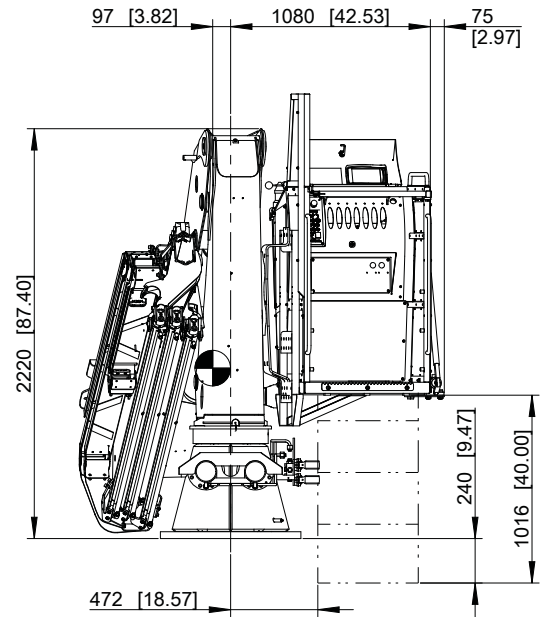
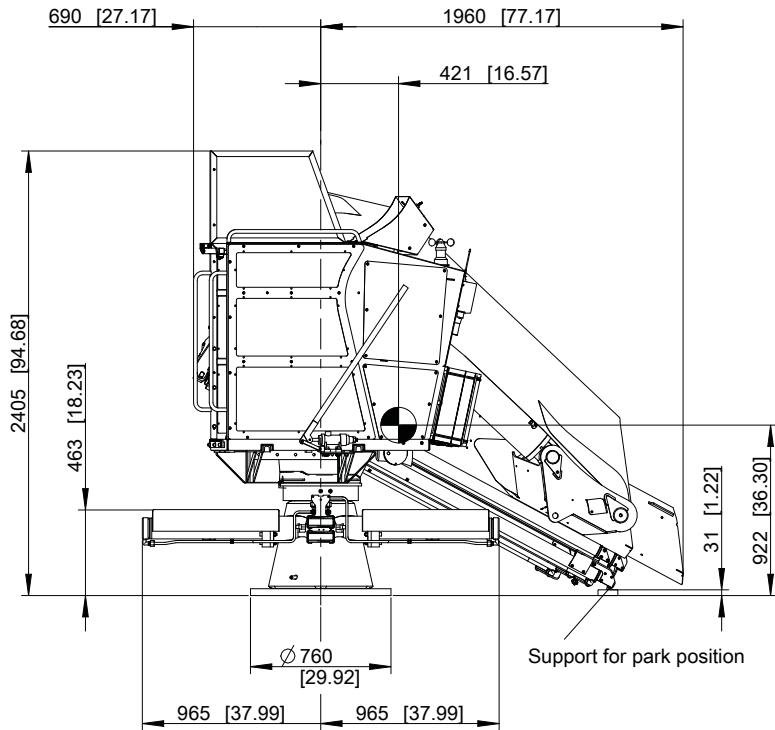


Subject to change, production tolerances have to be taken into account.



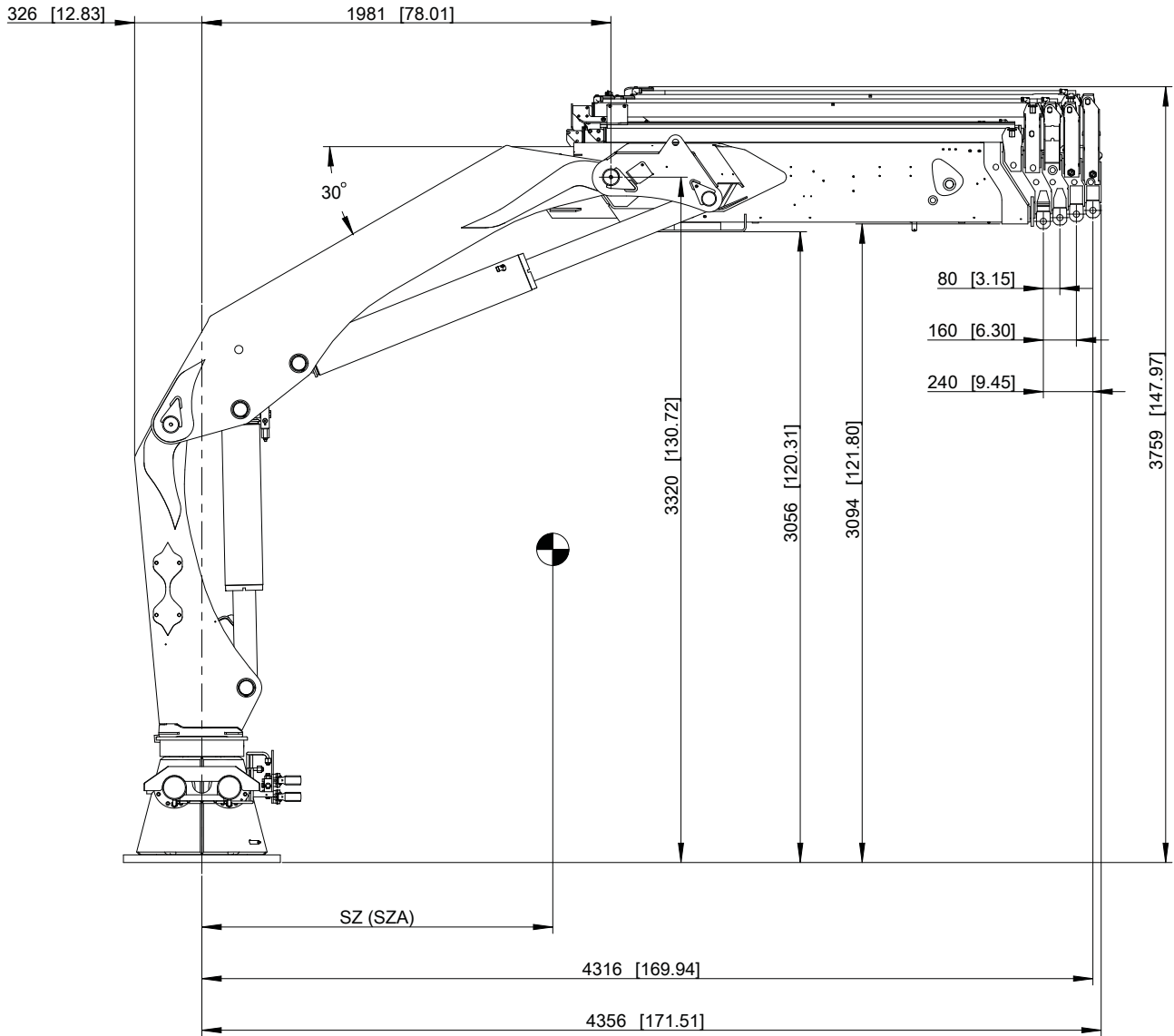
Park position I

Subject to change, production tolerances have to be taken into account.



Subject to change, production tolerances have to be taken into account.

SZ = fully retracted
 SZA = fully extended

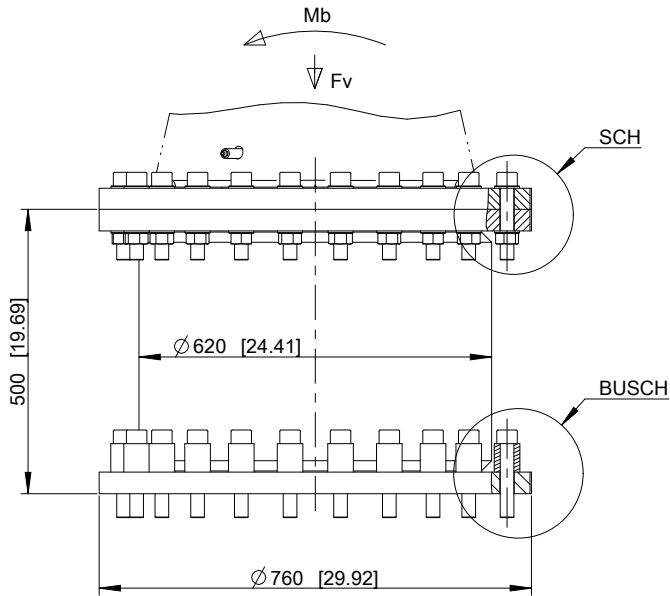


All centers of gravity excluding installation equipment, accessories and oil.

HYA	2(A)	3(B)	4(C)	5(D)
SZ	1100 mm (43.31")	1235 mm (48.62")	1355 mm (53.35")	1459 mm (57.44")
SZA	1583 mm (62.32")	2096 mm (82.52")	2646 mm (104.17")	3219 mm (126.73")

Stationary mounting

Subject to change, production tolerances have to be taken into account.



SCH

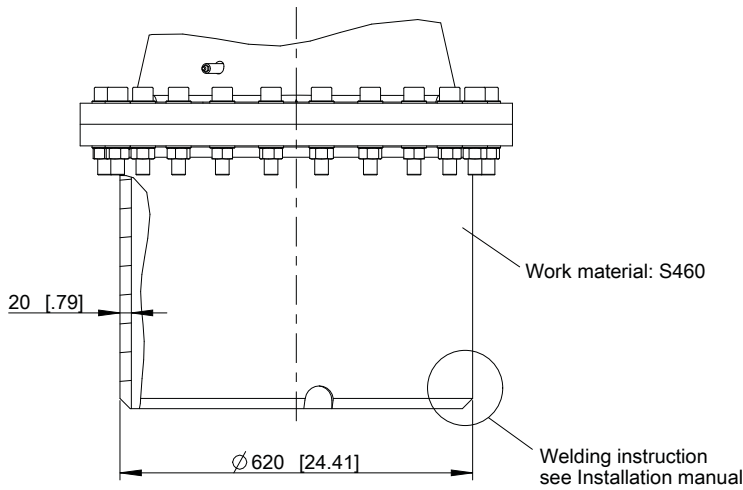
24xES1229
M24x130 10.9
ISO4762

48xEK 384
DIN6916

24xEM147
ISO4032



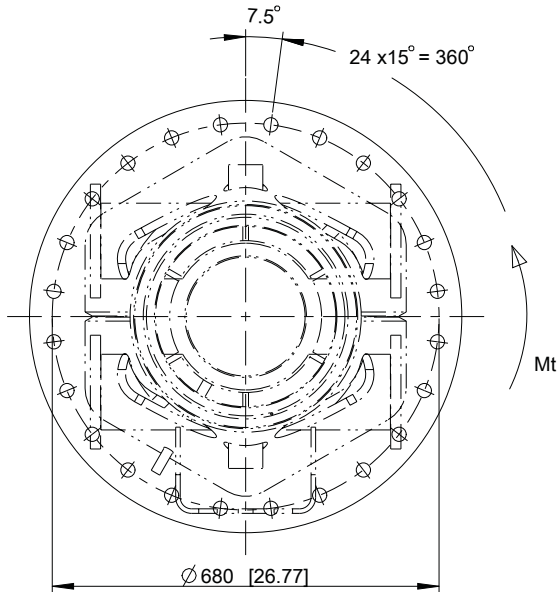
Tightening torque
see Installation manual

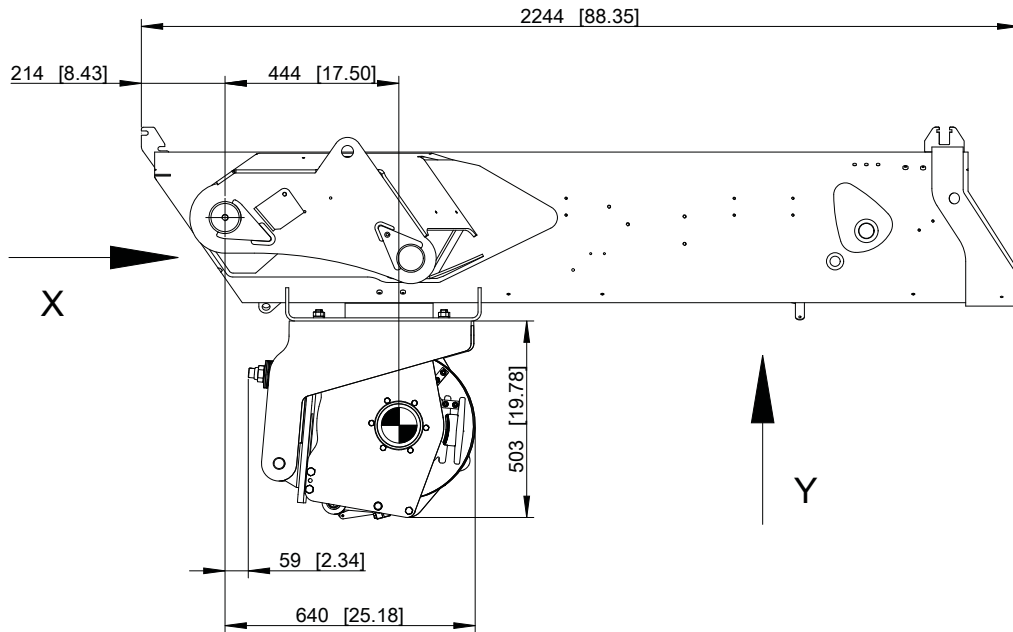


BUSCH

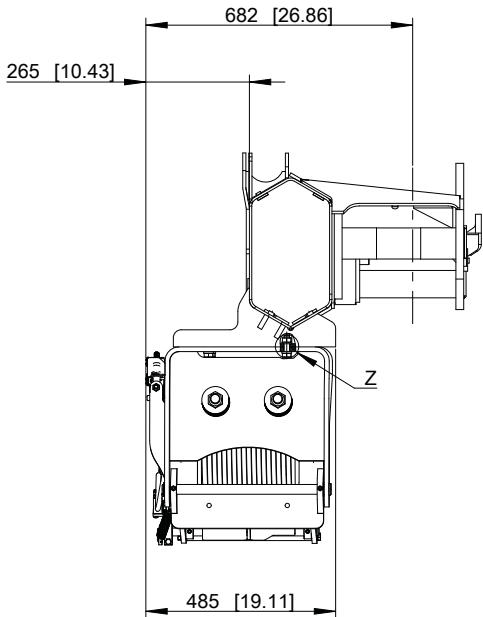
24xES1229
M24x130 10.9
ISO4762

24xHBS2508

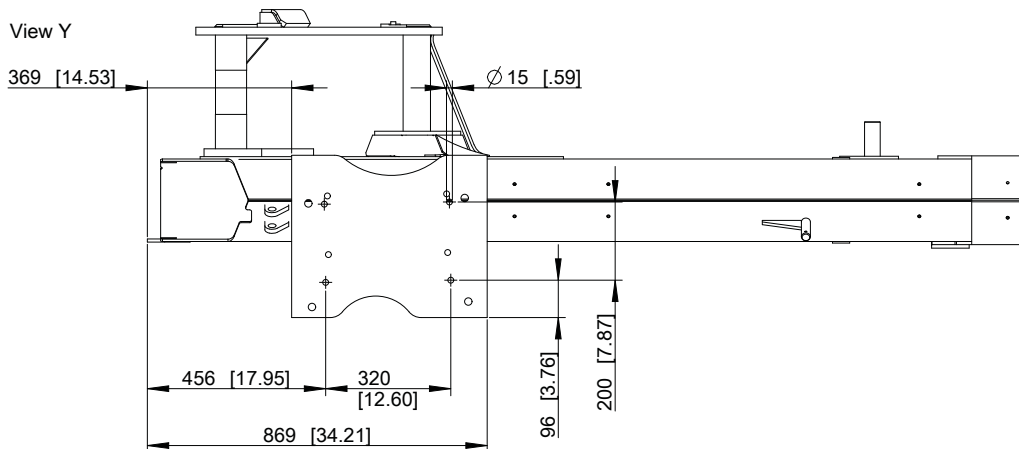
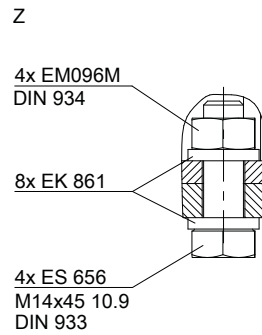




View X



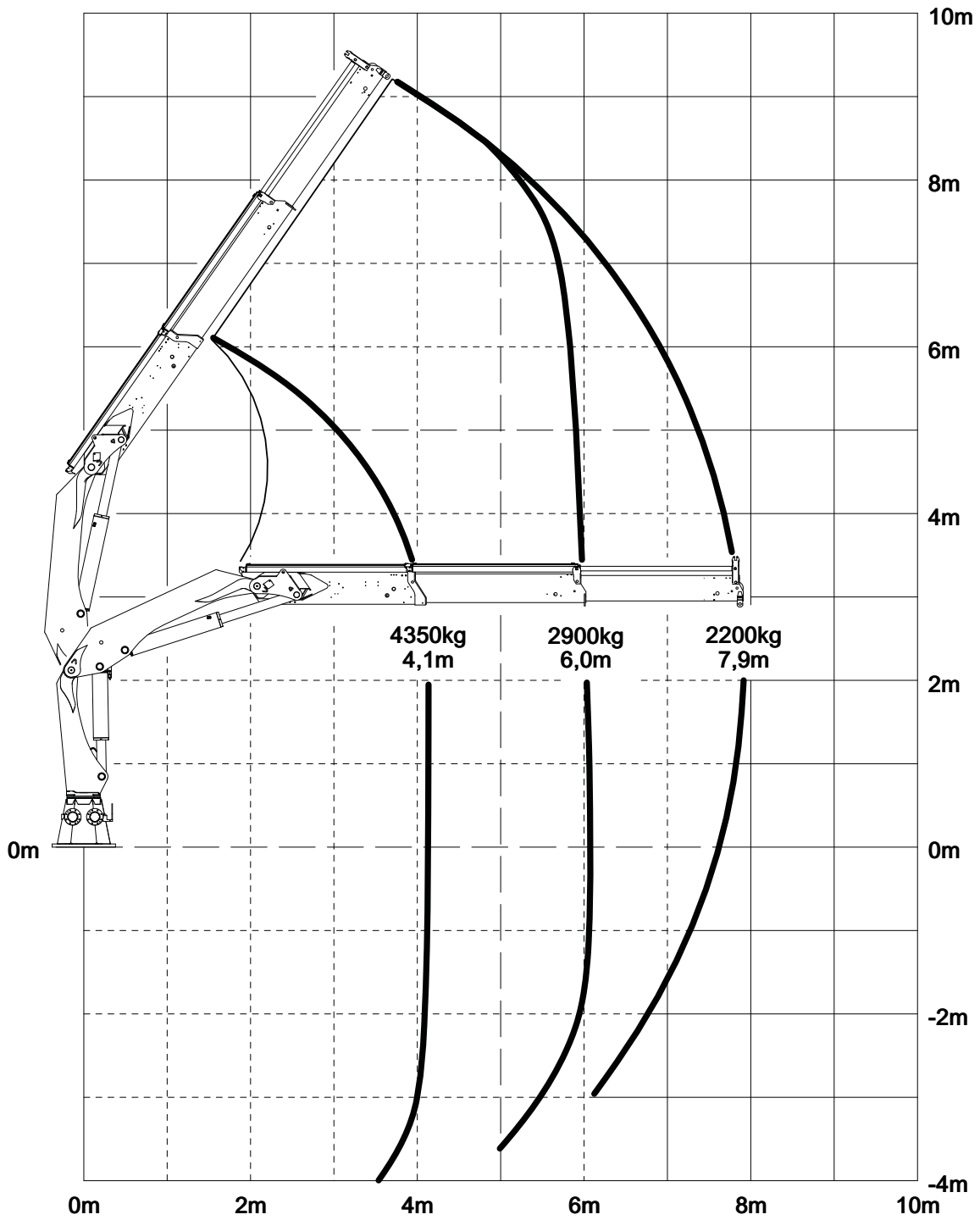
View Y



Subject to change, production tolerances have to be taken into account.

Subject to change, production tolerances have to be taken into account.

Symbolic crane figure, indications at 30° main boom position & load arm in horizontal position

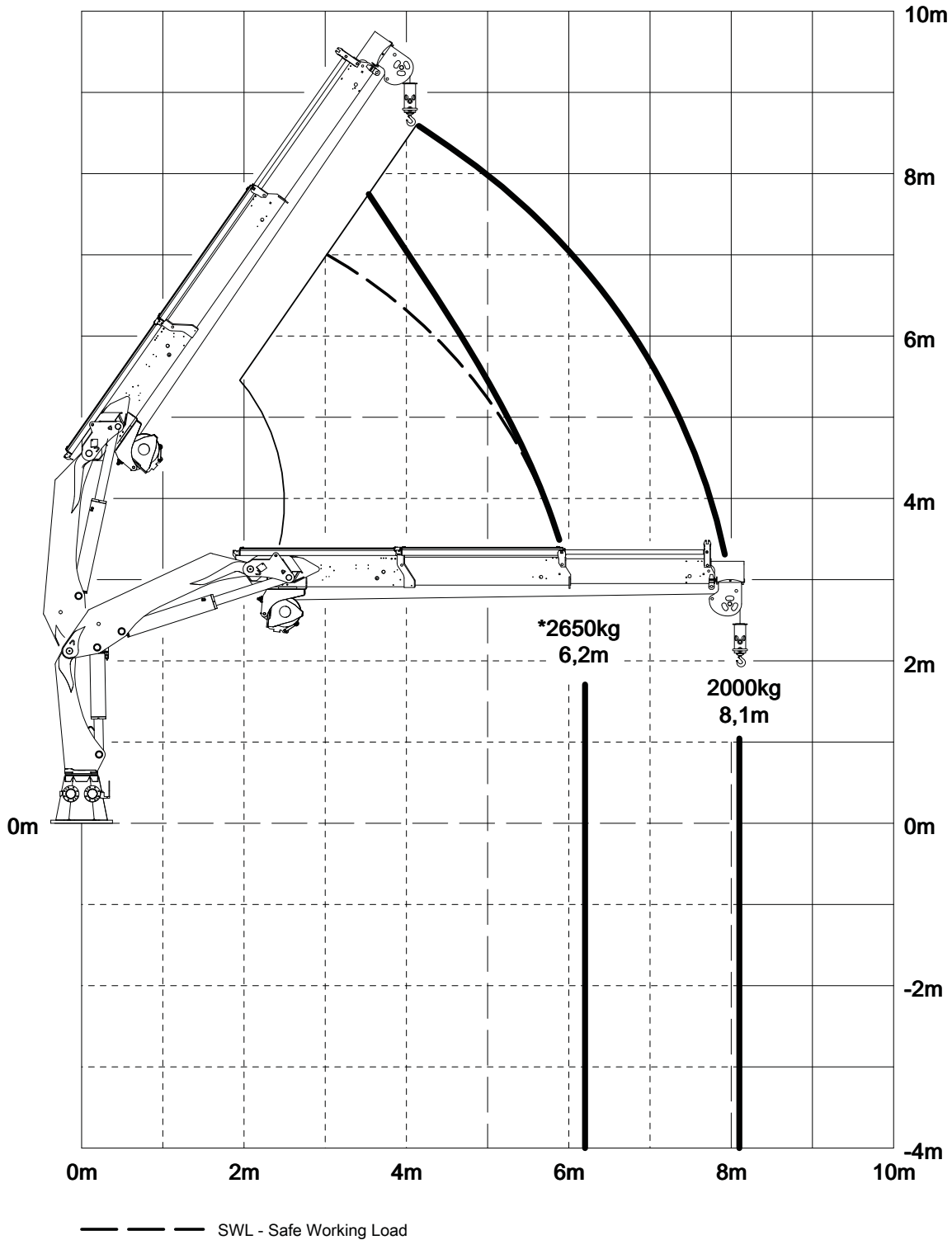


Lifting capacity diagram A S2.5

Subject to change, production tolerances have to be taken into account.

single line

Symbolic crane figure, indications at 30° main boom position & load arm in horizontal position



* Load capacity depends on:

- Load capacity of the winch
- Winch operation mode (single or double line)
- Crane design

During winch operation, always at least one extension boom has to be extended, to guaranty proper winch spooling behavior.