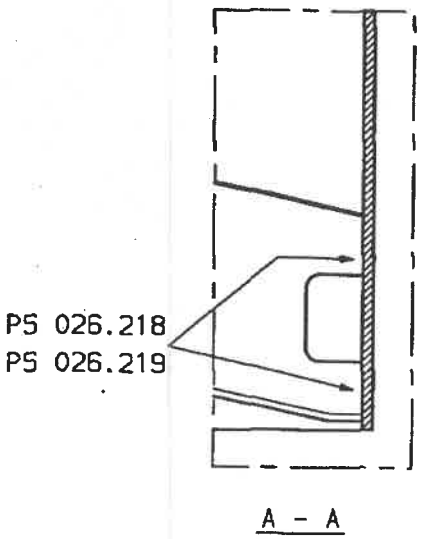
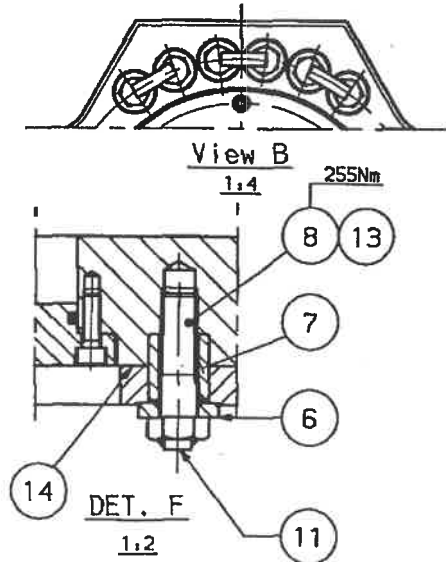
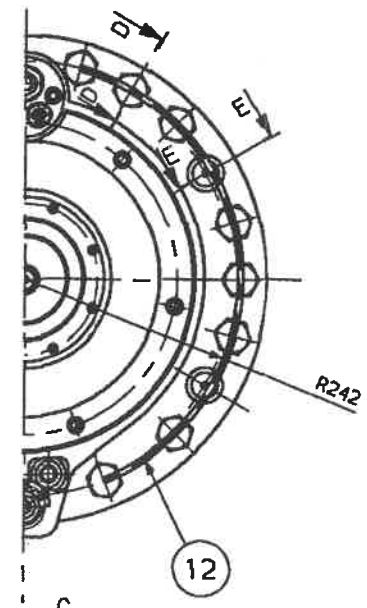
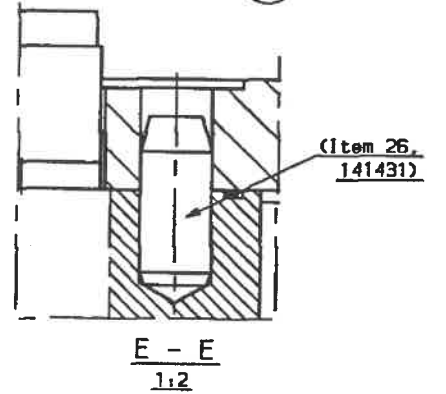
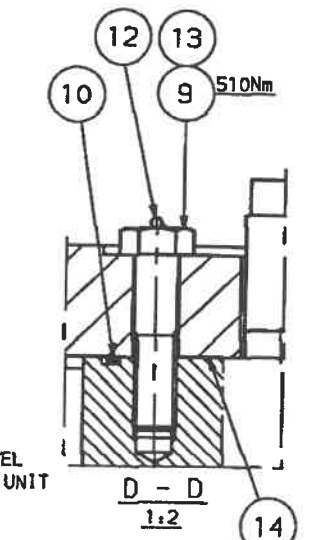


Basic size	Tolerance	Basic size	Tolerance
3	±0,1	(1000) - 2000	±1,4
(3) - 6	±0,1	(2000) - 4000	±2
(6) - 30	±0,2	(4000) - 8000	±3
(30) - 120	±0,3	(8000) - 12000	±4
(120) - 315	±0,5	(12000) - 16000	±5
(315) - 1000	±0,8	(16000) - 20000	±8



THIS DRAWING MUST NOT BE COPIED NOR USED FOR MANUFACTURING PURPOSES WITHOUT OUR WRITTEN PERMISSION NEITHER IS TO BE HANDED OVER TO NOR IN OTHER WAY COMMUNICATED TO A THIRD PARTY. INFRINGEMENT WILL LEAD TO PROSECUTION.

Parts List on separate sheet

Item no.	Description	Reference	Material	Remark
DB	DB	DB	DB	DB
TT 2000 VI CP TUNNEL AND PROPELLER UNIT				
Rolls-Royce		60021	141430	a