

**Jets™ 25MBA Vacuumator™ pump**

Product No. 200025001

Tel. +47 70 03 91 00  
www.jetsgroup.com

Doc. Rev.: 14 (2020-04-08)



Vacuumator™ pumps are the most compact efficient and reliable vacuum generators available for vacuum sanitary systems. The pump creates vacuum, macerates sewage and discharges in one single pass operation.

**Features:**

- Highly efficient in transporting wastewater
- Small footprint and low weight allows for quick and flexible installation
- In line installation - direct discharge to sewer, STP (Sewage Treatment Plant) or collecting tank
- Multiphase design - pumps any combination of air, black and grey water
- Low energy consumption
- High quality – low lifecycle cost

**Technical Data**

Capacity.....	19 m³/h (ACMH) at 500 mbar abs. 50 Hz 26 m³/h (ACMH) at 500 mbar abs. 60 Hz (50% Vacuum)
Back Pressure.....	Max. 0.3 bar
Outside Dimensions.....	702 x 198 x 278 mm (LxWxH)
Connection Inlet.....	DN50
Connection Outlet.....	DN32
Protection Class.....	IP 55
Insulation Class.....	155(F) to 130(B)
Duty.....	S1-100%
Ambient Temperature Range.....	+0 °C - 55 °C
Humidity.....	Class F / 95%
Net Weight.....	66.50 kg

**Operating Data**

Frequency.....	50 // 60 Hz
Voltage.....	Y380-420/Δ220-240 // Y440-480 V
Nominal Current.....	6.1/10.6 // 5.8 A
Speed.....	CCW 2835 // 3435 rpm
Power Output.....	3.0 // 3.45 kW
Power Factor.....	0.87 // 0.88 cos φ
Efficiency.....	81.5 // 84.5%
Heat Dissipation.....	Approx. 0.6 kW

**Disclaimer**

Note: Our products and services are offered and sold subject to Jets Vacuum AS' General Sales Conditions, copies of which will be furnished upon request. Information provided herein is solely for information purposes, does not constitute any warranty or representation of any kind and is subject to change without notice. We strive to reproduce product colors reasonably accurate. Without prior written approval, this document or any part of may not be reproduced in any form. Jets™, Vacuumator™, Helivac™, VC™, VOD™, CVS™ and Softsound™ are trademarks and/or registered trademarks of Jets. © Jets AS. All rights reserved.

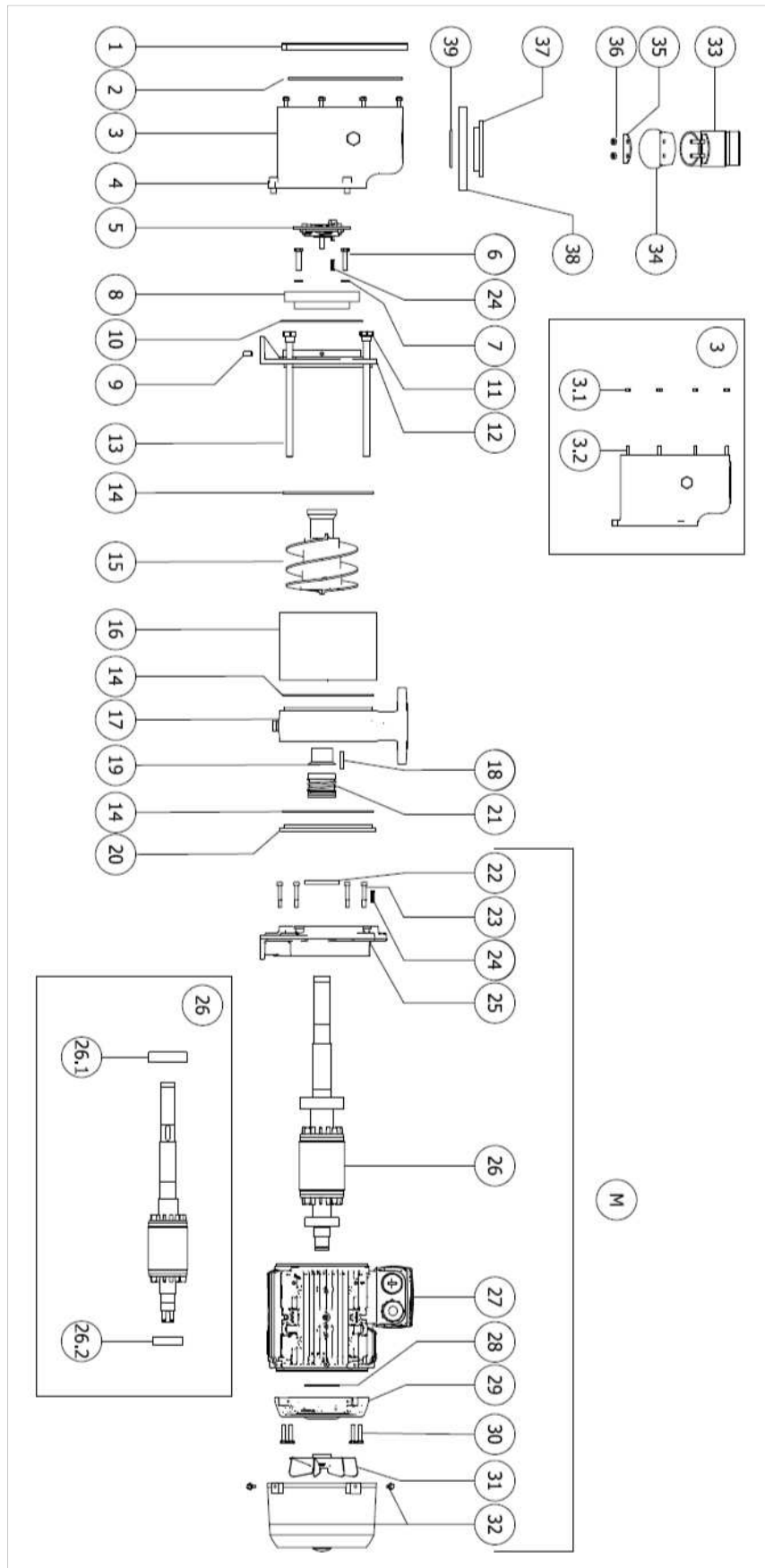


Jets™ 25MBA Vacuumator™ pump

Product No. 200025001

Tel. +47 70 03 91 00  
www.jetsgroup.com

Doc. Rev.: 14 (2020-04-08)





## Jets™ 25MBA Vacuumator™ pump

Tel. +47 70 03 91 00  
www.jetsgroup.com

Product No. 200025001

Doc. Rev.: 14 (2020-04-08)

**Components**

1	Cover .....	023280050*	26.2	Ball Bearing .....	038213500
2	O-ring .....	037219260*M		Macerator Alignment Tool 25MBA .....	816100118
3	Suction Chamber, Complete .....	023280041*		Motor .....	031002501
4	Screw, M10x20 .....	036207621*		■ 50 // 60 Hz ■ Y380-420/Δ220-240 // Y440-480 V	
5	Macerator .....	020203100*			* Component/s available as replacement parts.
6	Screw, M8x35 .....	036280101*			
7	Washer, M8 .....	036202300*			
8	Stationary Knife Holder .....	021201000*			
9	Setscrew M8x16 .....	036202400*			
10	O-ring .....	037219220*			
11	Sleeve .....	023280111*			
12	End Flange .....	023200210*			
13	Bolt, M12x220 .....	036202010*			
14	O-ring .....	037219200*			
15	Rotor .....	021265401*			
16	Rotor Housing .....	023219000*			
17	Pressure Chamber .....	023219100*			
18	Key .....	021201800*			
19	Spacer Sleeve .....	023260400*			
20	Flange for Shaft Seal .....	023280030*			
21	Shaft Seal ø35mm .....	038218901*			
22	Sealing Ring .....	037260700*			
23	Screw, M6x40 .....	036503400*			
24	Split Sleeve, ø5x20mm .....	020207800*			
25	Motor Flange .....	031150252*			
26	Shaft with Rotor and Ball Bearing .....	023280102*			
27	Stator .....	031000304*			
	■ Stator ■ 50 // 60 Hz ■ Y380-420/Δ220-240 // Y440-480 V				
28	Spacer Sleeve .....	036291510*			
29	End Cover .....	031261031*			
30	Screw, M6x30 .....	036312728*			
31	Fan .....	031261111*			
32	Fan Cover .....	031261041*			
33	Flap valve, housing .....	023280062*			
34	Rubber Flap .....	037302100*			
35	Plate for flap valve .....	023280091*			
36	Lock nut, M6 .....	036232920*			
37	Nut for flap valve .....	023280070*			
38	Flange .....	023280080*			
39	O-ring .....	037219280*			

**Additional Components**

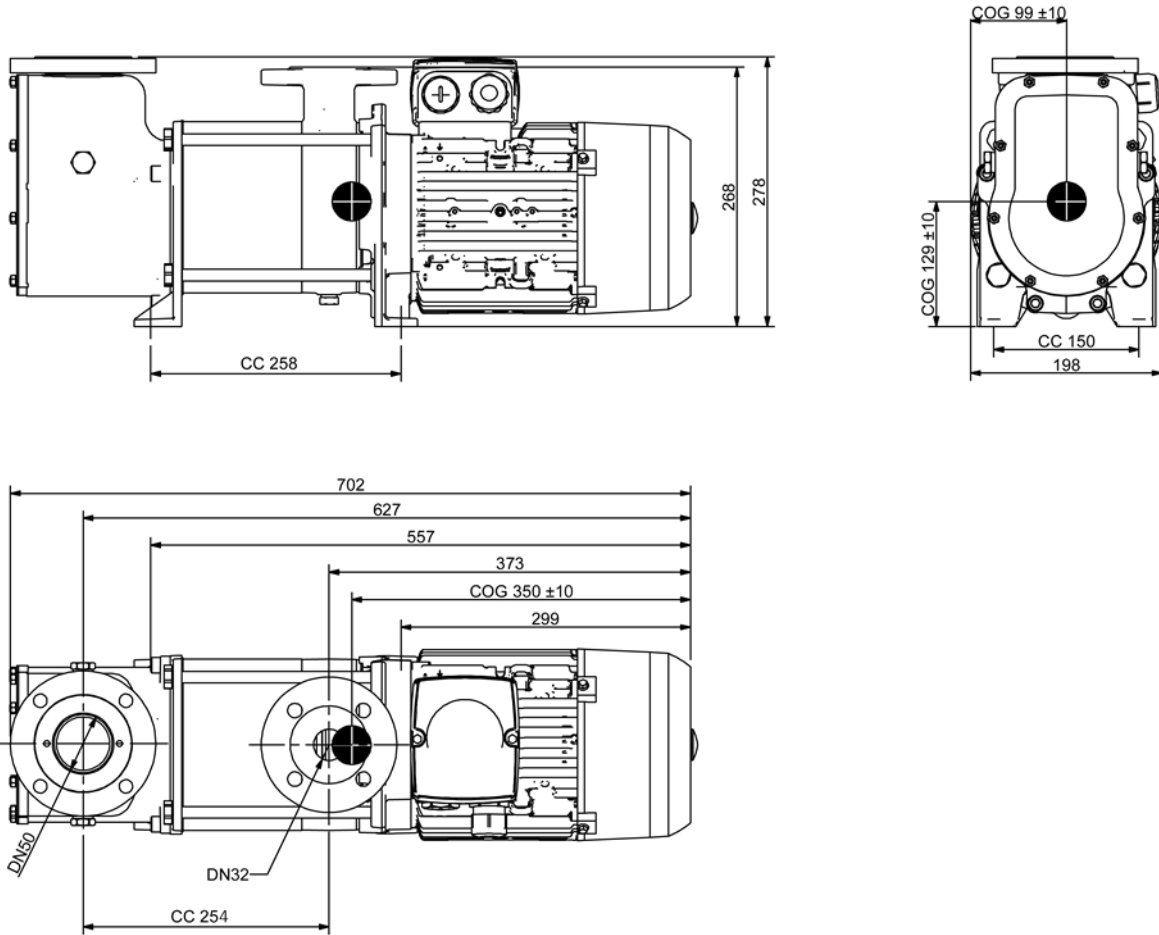
3.1	Nut, M6 .....	036901200
3.2	Setscrew M6x25 .....	036202401
26.1	Ball Bearing .....	038223700

**JETS™** Jets™ 25MBA Vacuumator™ pump  
Product No. 200025001

Tel. +47 70 03 91 00  
www.jetsgroup.com

Doc. Rev.: 14 (2020-04-08)

**Dimension Drawings**



Measurements given in mm.