



GROUP 1P – P3000 SERIES

PERFORMANCE DATA

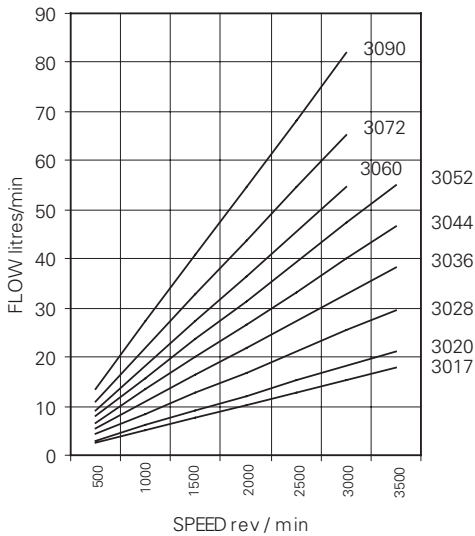
Pressures quoted are relief valve maximum by-pass
Performance with SAE 20W oil at 50° C

PUMP TYPE	Nominal Displacement cc/rev	Nominal Delivery @ 1500 rpm & Pressure P lpm	Maximum Continuous Pressure P		Speed at Maximum Continuous Pressure P	
			psi	bar	max	min
3017	5.13	7.70	3000	207	3500	500
3020	6.07	9.10	3000	207	3500	500
3028	8.47	12.70	3000	207	3500	500
3036	10.93	16.40	3000	207	3500	600
3044	13.33	20.00	3000	207	3500	500
3052	15.73	23.60	3000	207	3500	600
3060	18.20	27.30	3000	207	3500	650
3072	21.80	32.70	2525	174	3000	650
3090	27.27	40.90	2000	138	2400	650

TYPICAL PERFORMANCE

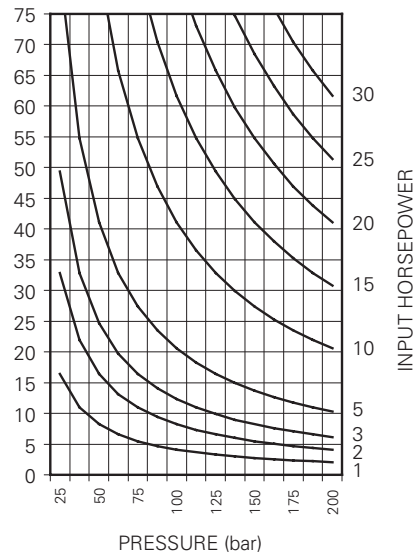
TYPICAL PUMP DELIVERY

Flow at Max. Pressure.



TYPICAL INPUT HORSEPOWER

Fluid SAE 20W
Fluid Temperature 50° C



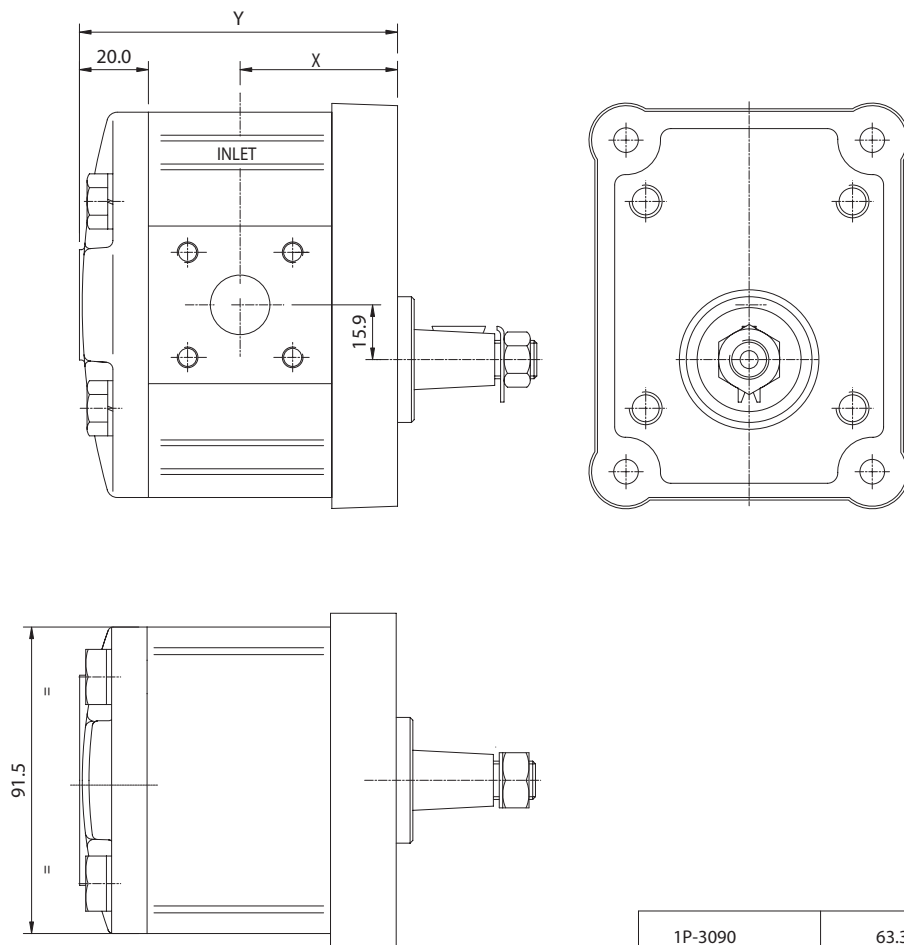


INDEX



1P SERIES

INSTALLATION DIMENSIONS



1P-3090	63.3	127.7
1P-3072	60.0	121.0
1P-3060	57.7	116.4
1P-3052	56.2	113.3
1P-3044	54.6	110.3
1P-3036	45.6	92.2
1P-3028	44.1	89.1
1P-3020	42.5	86.1
1P-3018	41.9	84.8
1P-3017	41.8	84.5
1P-3013	41.2	83.5
PUMP TYPE.	DIM-X	DIM-Y

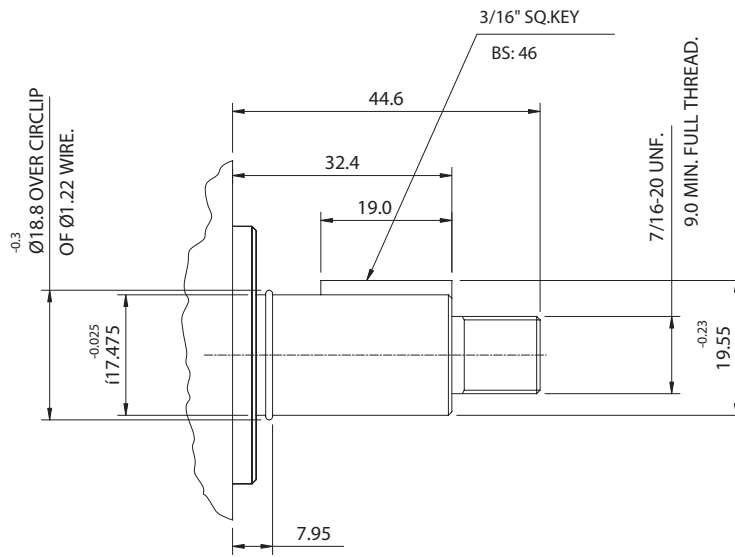
ALL DIMENSIONS ARE IN MM UNLESS SPECIFIED.



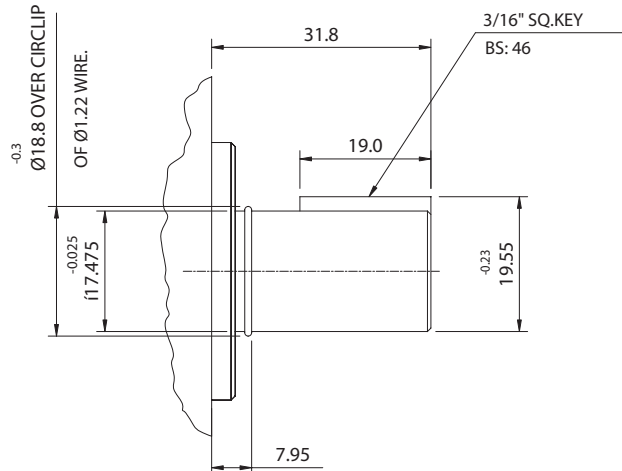
1P SERIES

DRIVE SHAFT

CODE - U



CODE - P



ALL DIMENSIONS ARE IN MM UNLESS SPECIFIED.



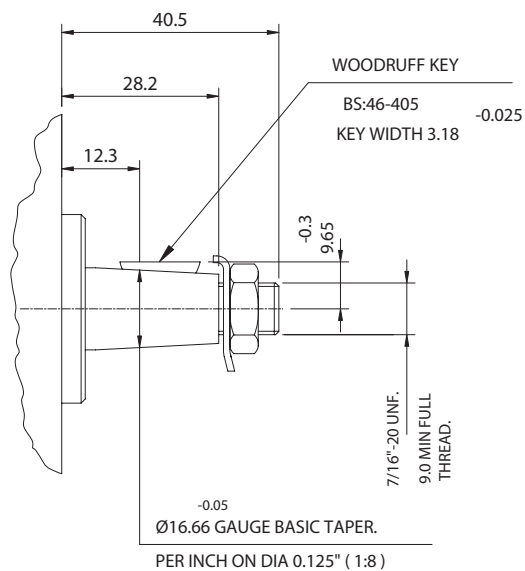
INDEX



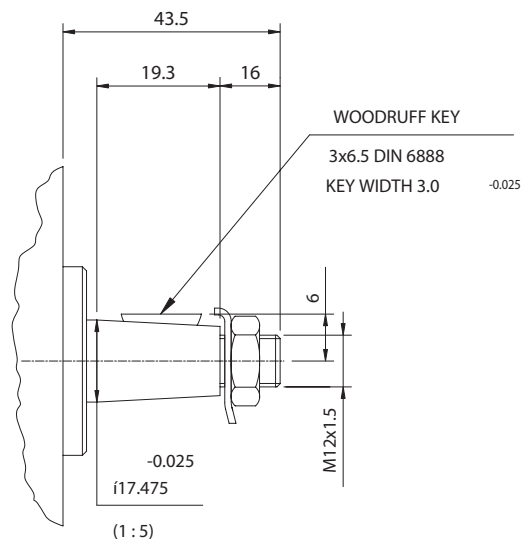
1P SERIES

DRIVE SHAFT

CODE - T



CODE - K



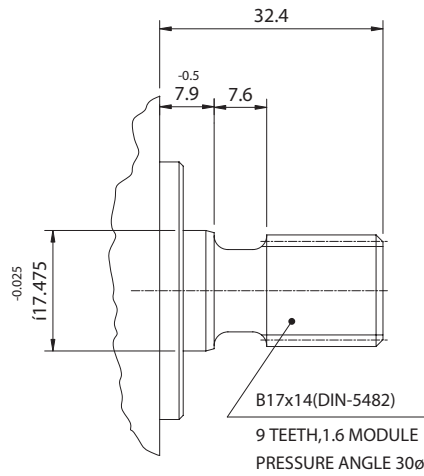
ALL DIMENSIONS ARE IN MM UNLESS SPECIFIED.



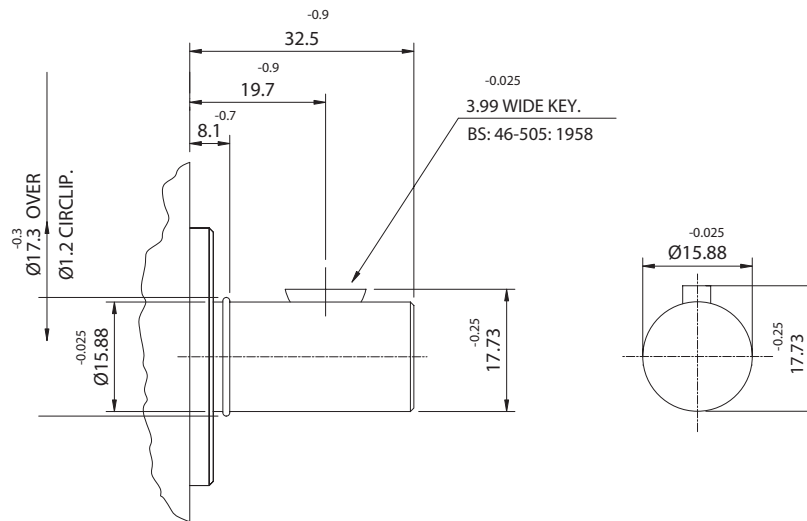
1P SERIES

DRIVE SHAFT

CODE - D



CODE - L SAE - A



ALL DIMENSIONS ARE IN MM UNLESS SPECIFIED.



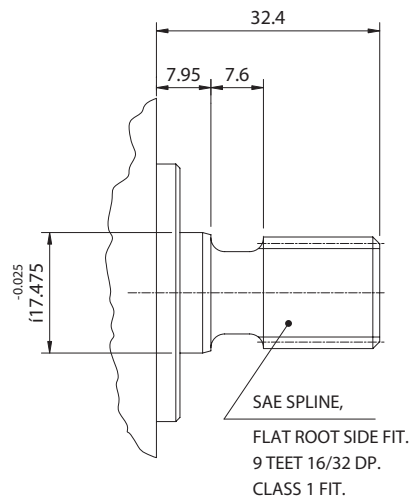
INDEX



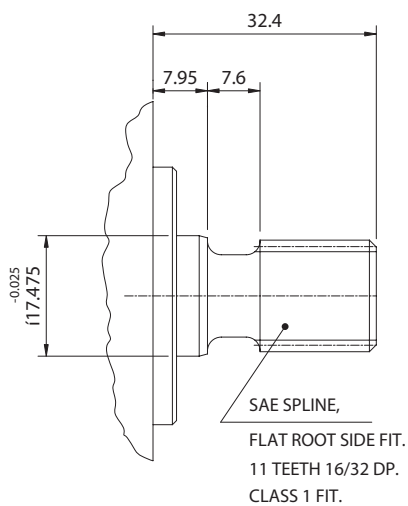
1P SERIES

DRIVE SHAFT

CODE - S



CODE - G



ALL DIMENSIONS ARE IN MM UNLESS SPECIFIED.

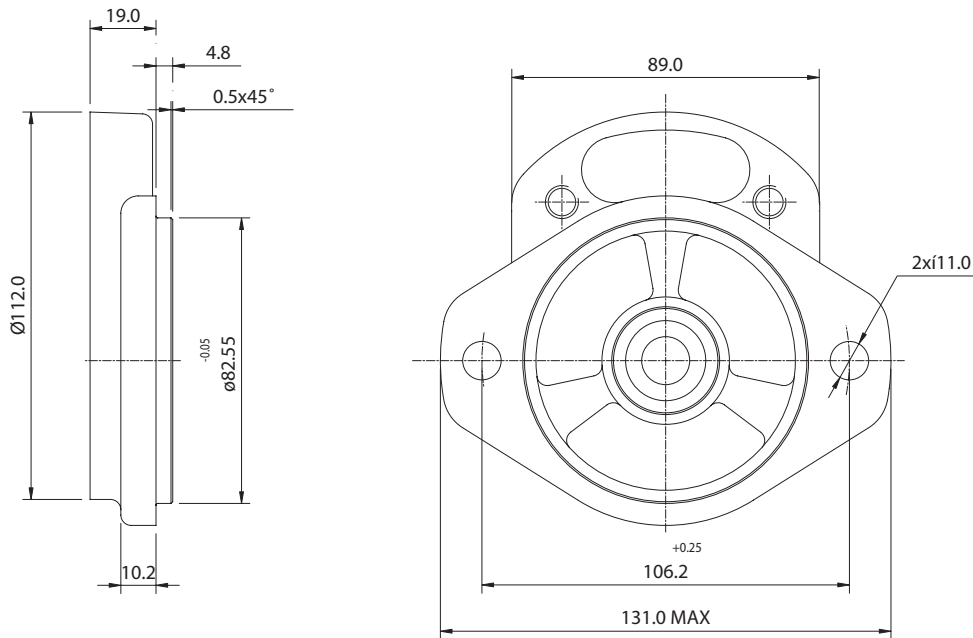


1P SERIES

MOUNTING FLANGE

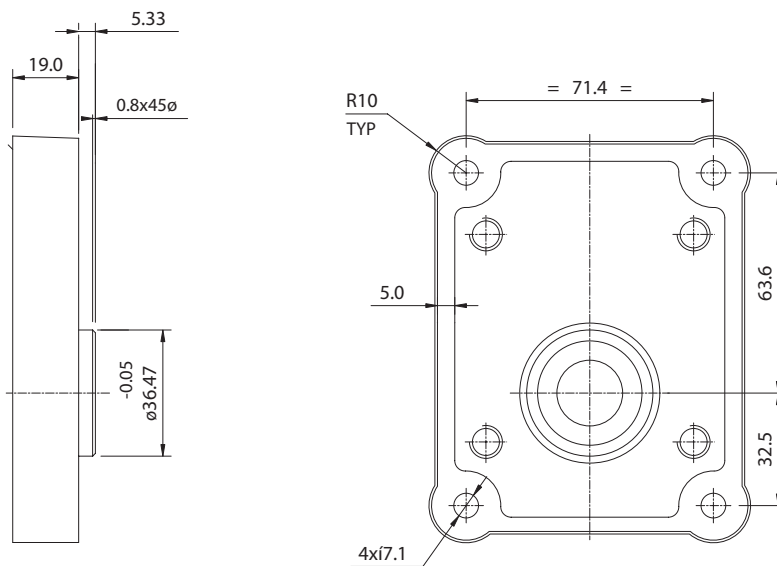
2-BOLT SAE CODE - S

Available with shaft code P,T,K,G and S



4-BOLT CODE - D

Available with shaft code P,T,K,G and S



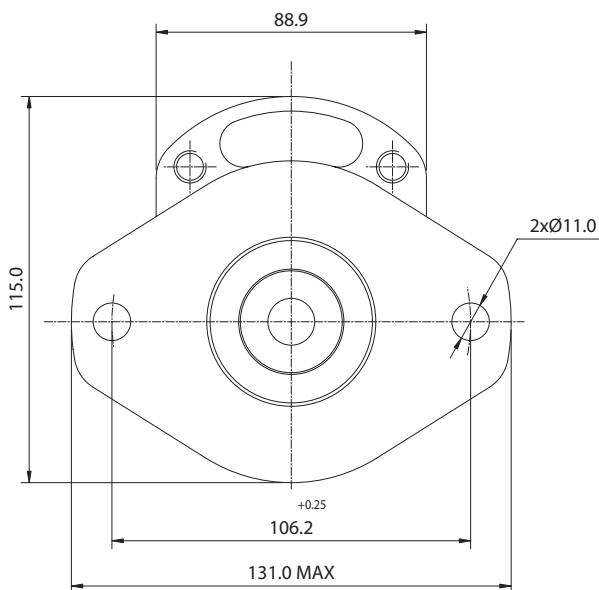
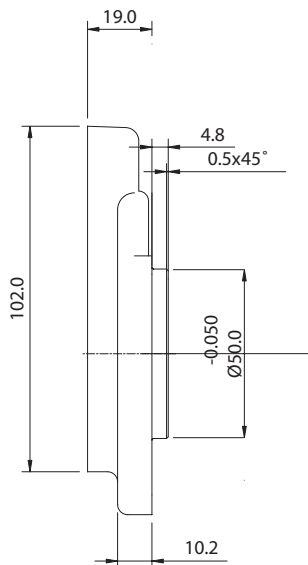
ALL DIMENSIONS ARE IN MM UNLESS SPECIFIED.



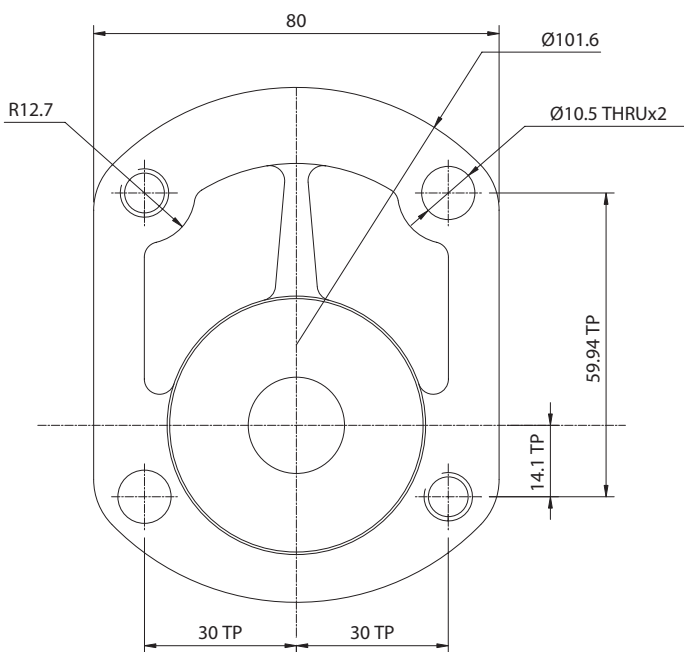
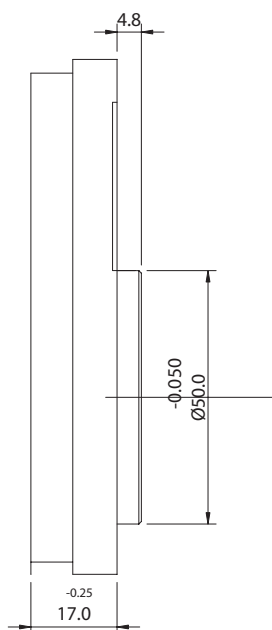
1P SERIES

MOUNTING FLANGE

2 BOLT SAE-AA CODE - A



CODE - K



ALL DIMENSIONS ARE IN MM UNLESS SPECIFIED.



INDEX

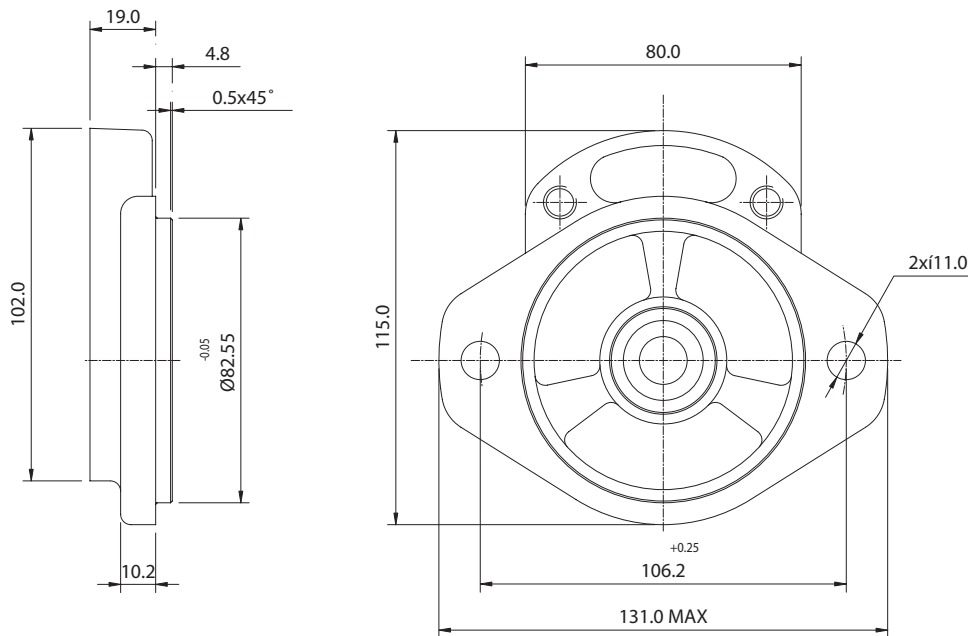


1P SERIES

MOUNTING FLANGE

2-BOLT SAE CODE - S

Available with shaft code P,T,K,G and S



ALL DIMENSIONS ARE IN MM UNLESS SPECIFIED.



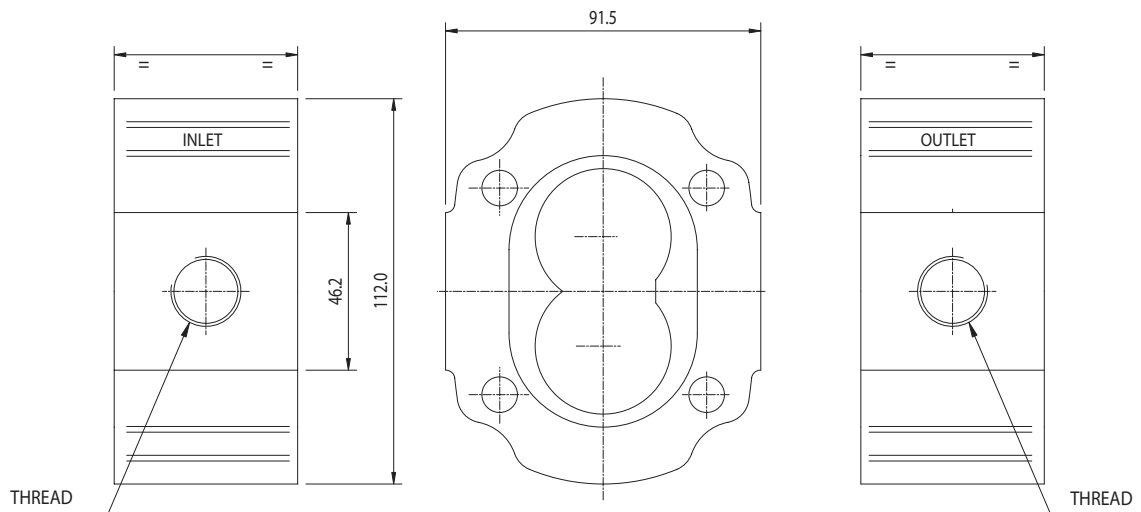
INDEX



1P SERIES

BODY PORT

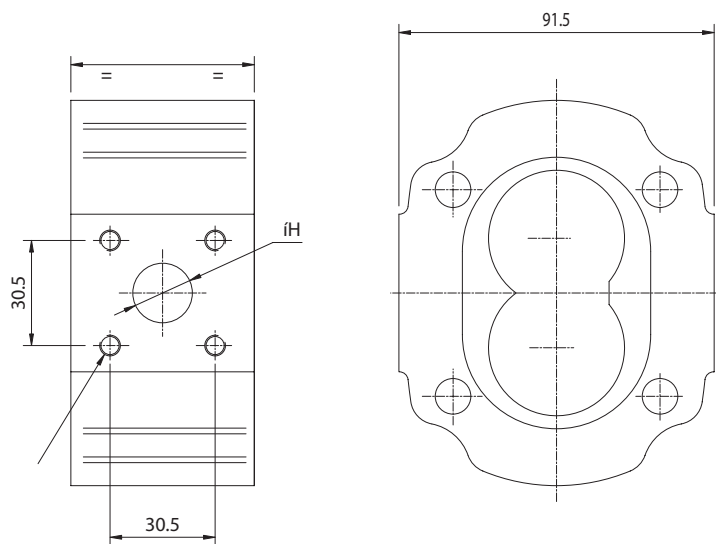
CODE - T



1/2"-BSP FOR PUMP TYPES 1P3017 TO 3028
 3/4"-BSP FOR PUMP TYPES 1P3036 TO 3090

1/2"-BSP FOR PUMP TYPES 1P3017 TO 3036
 3/4"-BSP FOR PUMP TYPES 1P3044 TO 3090

CODE - F



INLET & OUTLET PORTS ARE IDENTICAL.

Ø H=17.3 PUMP TYPES 1P3017 TO 3036
 Ø H=20.3 PUMP TYPES 1P3044 TO 3090

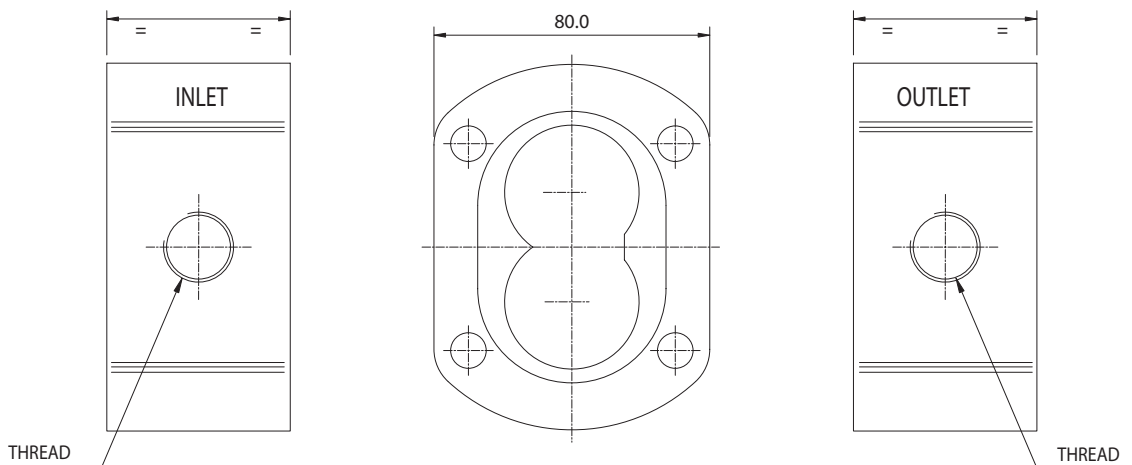
ALL DIMENSIONS ARE IN MM UNLESS SPECIFIED.



1P SERIES

BODY PORT

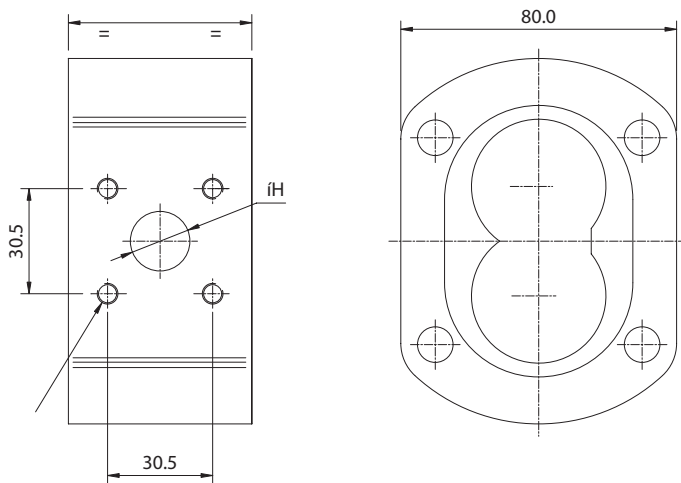
CODE - A



1/2"-BSP FOR PUMP TYPES 1P3017 TO 3028
 3/4"-BSP FOR PUMP TYPES 1P3036 TO 3090

1/2"-BSP FOR PUMP TYPES 1P3017 TO 3036
 3/4"-BSP FOR PUMP TYPES 1P3044 TO 3090

CODE - B



INLET & OUTLET PORTS ARE IDENTICAL.

Ø H=17.3 PUMP TYPES 1P3017 TO 3036
 Ø H=20.3 PUMP TYPES 1P3044 TO 3090

ALL DIMENSIONS ARE IN MM UNLESS SPECIFIED.



INDEX

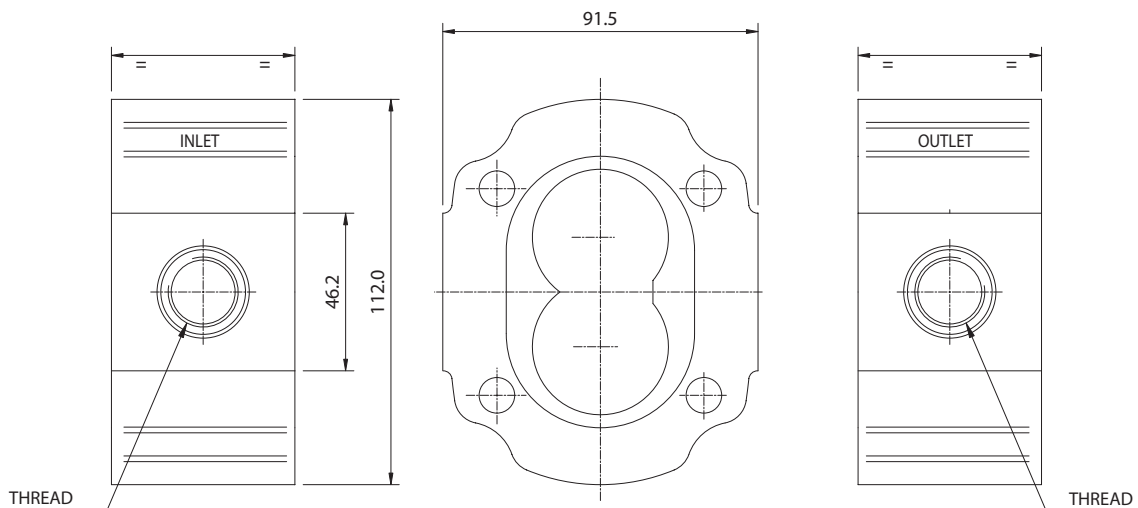


1P SERIES

BODY PORT

CODE - J

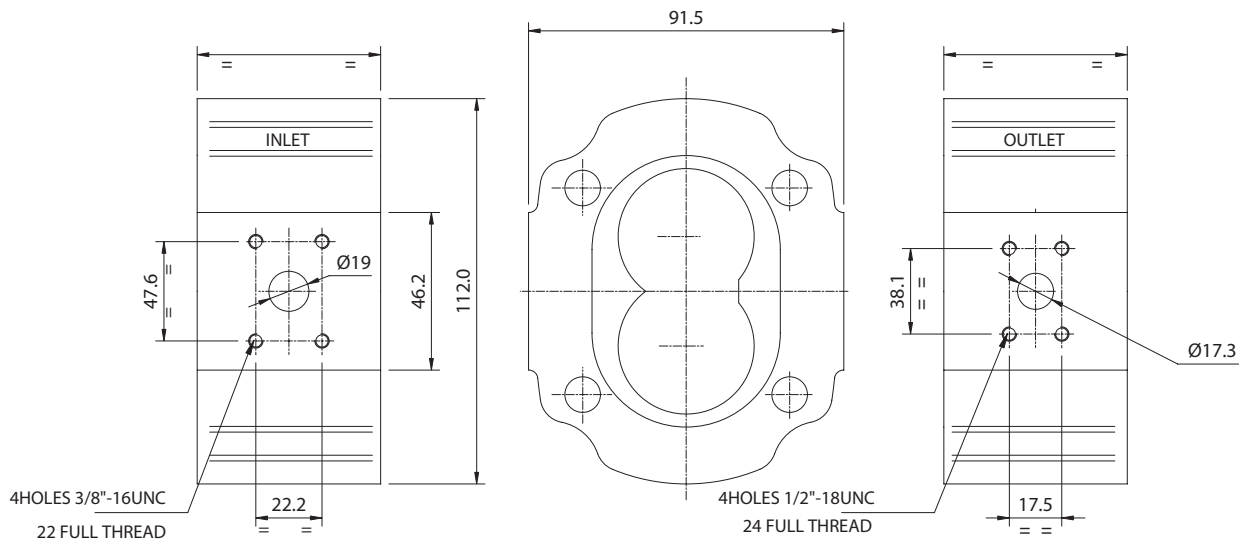
SAE O-RING THREADED PORTS.



1-1/16"-12 UN FOR PUMP TYPES 1P3017 TO 3036
 1-5/16"-12 UN FOR PUMP TYPES 1P3044 TO 3090

7/8"-14 UN FOR PUMP TYPES 1P3017 TO 3036
 1-1/16"-12 UN FOR PUMP TYPES 1P3044 TO 3090

CODE - S



4HOLES 3/8"-16UNC
 22 FULL THREAD

4HOLES 1/2"-18UNC
 24 FULL THREAD

ALL DIMENSIONS ARE IN MM UNLESS SPECIFIED.



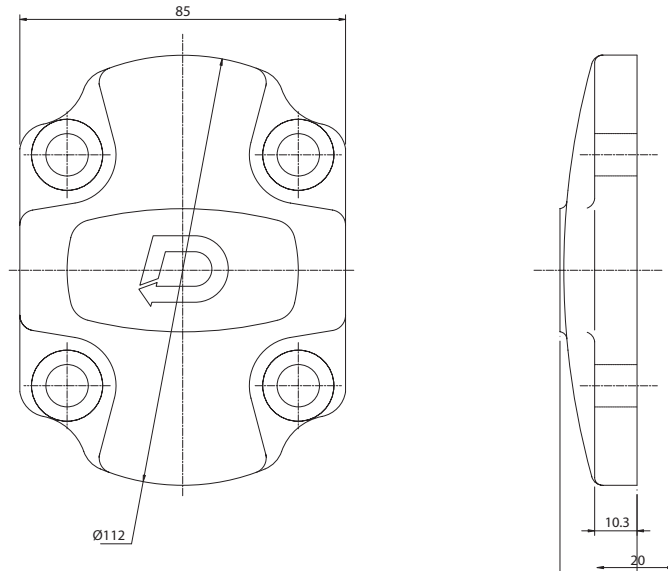
INDEX



1P SERIES

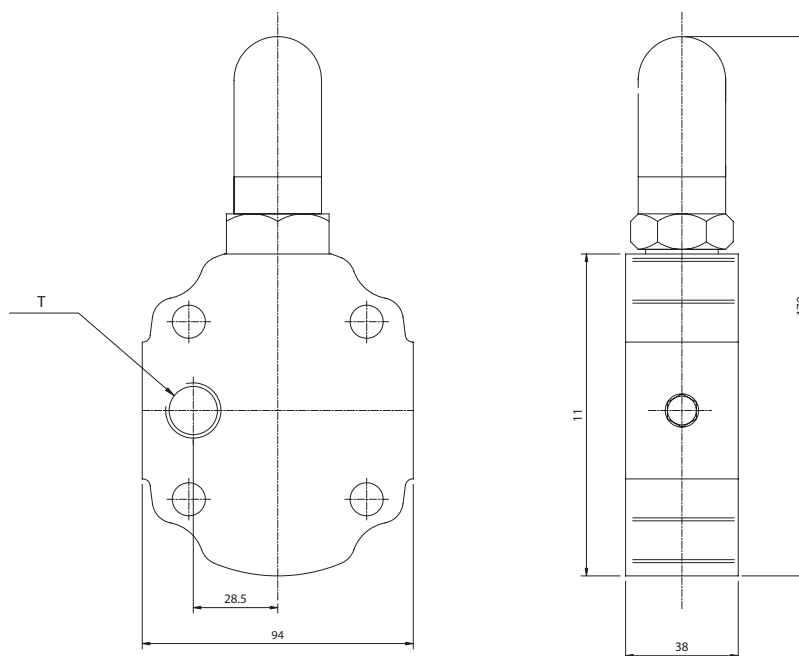
END COVER

CODE - B



RELIEF VALVE CODE-R

MOUNTED IN PLACE OF END COVER



ALL DIMENSIONS ARE IN MM UNLESS SPECIFIED.